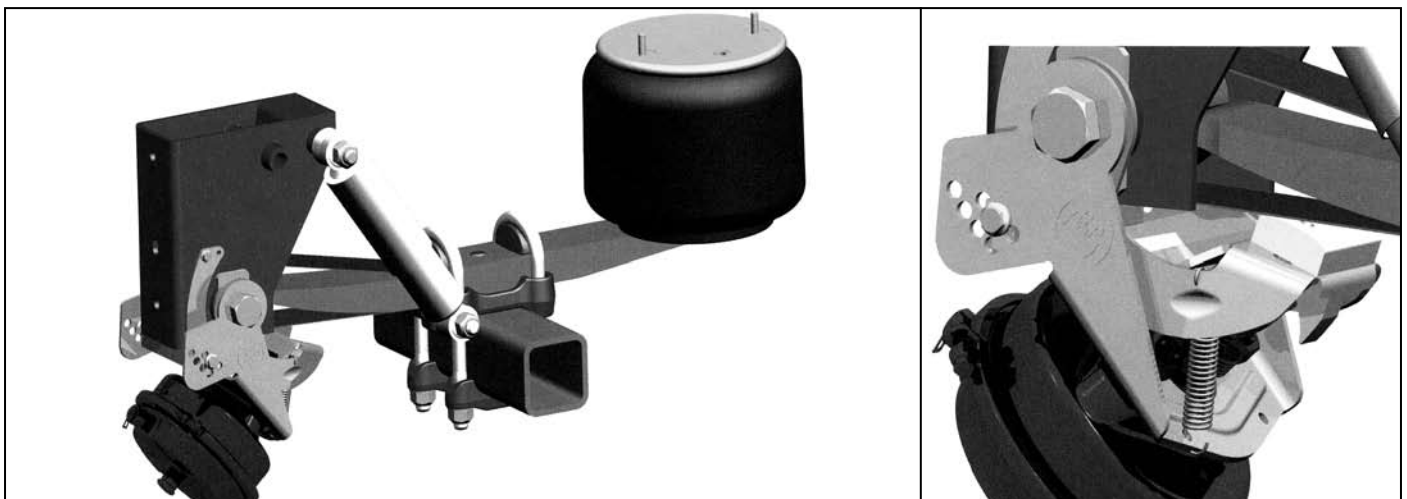


Lift your 12 t axle - with the new SL series double-sided lift.

The BPW double-sided lift for axle loads between 10 and 12 tons presented at the IAA 2004 will be available from January 2006 onwards. This means customers with higher axle loads can also profit from the advantages of a double-sided lift.



The features and advantages of the BPW double-sided lift are:

- Lower operating costs due to reduced tyre wear and low rolling resistance
- High payload due to low inherent weight
- Traction aid to the towing vehicle
- Good driving characteristics when the trailer is unladen
- Compatible with Auto-Drop system (automatic lifting and lowering)
- Simple to operate due to optional automatic control

The double-sided lift also features additional advantages:

- Long service life thanks to sturdy construction with tried-and-tested diaphragm cylinders and corrosion protection from cathodoretic dip coating with zinc phosphating
- Installation without welding work (also for retrofitting)
- Bolt on addition, ideal for retrofitting
- Compact design; pallets or equipment boxes are unaffected by the installation

The components have been designed with optimum load characteristics, so the double-sided lift weighs only 38 kg per axle.

Designation	BPW code no.	Remark
BPW double-sided lift	05.828.31.76.0	Complete with the installation units for right and left, and the necessary diaphragm cylinders.

Please contact Stephen du Toit on (082) 901-2639 or Zehraan Rassool on (082) 901-5327 for assistance.

