



Shock absorber fastening:

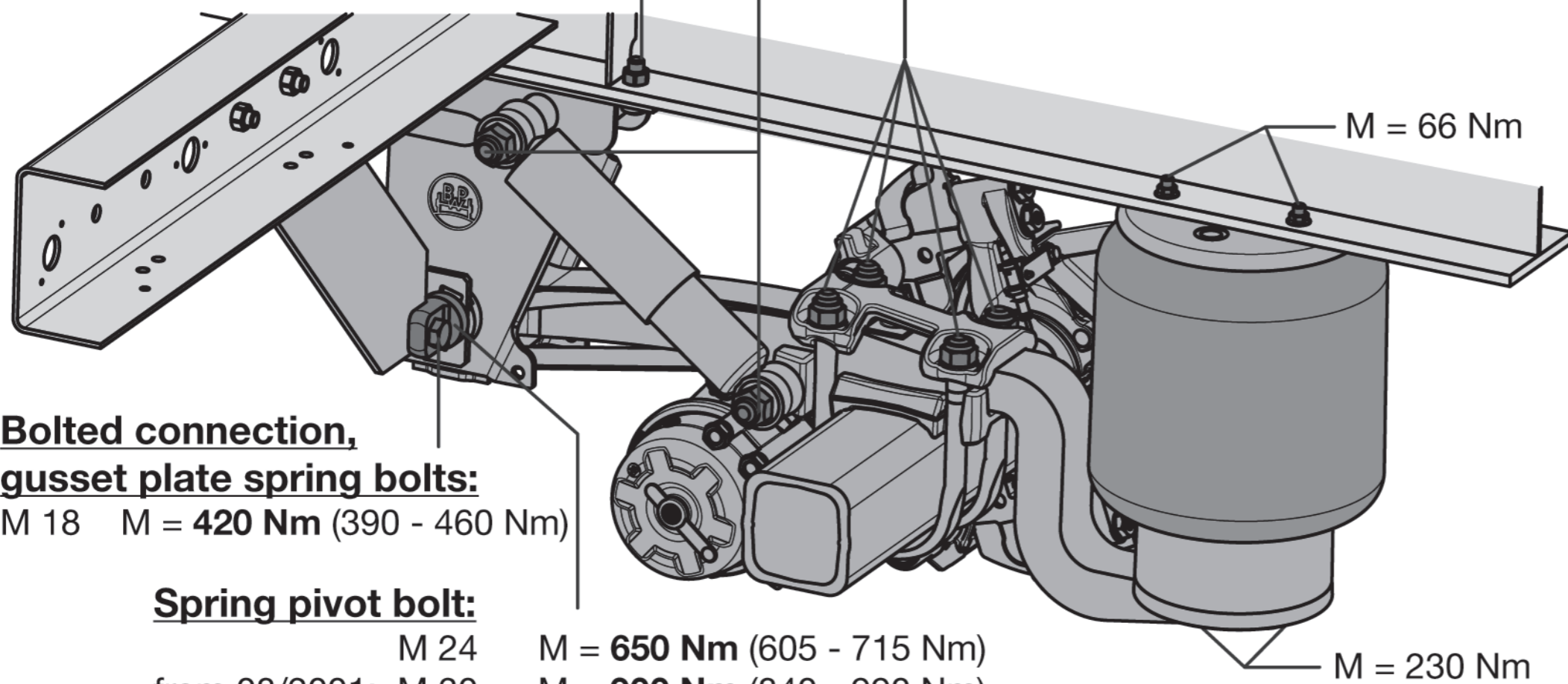
M 24 M = 420 Nm (390 - 460 Nm)
 for aluminium hanger brackets:
 M 24 M = 320 Nm (300 - 350 Nm)

Bolted connection, air suspension hanger bracket (steel) to longitudinal chassis beam (steel):

M 16 M = 260 Nm (240 - 285 Nm)

Spring U-bolt:

M 24 M = 650 Nm (605 - 715 Nm)
 M 22 M = 550 Nm (510 - 605 Nm)



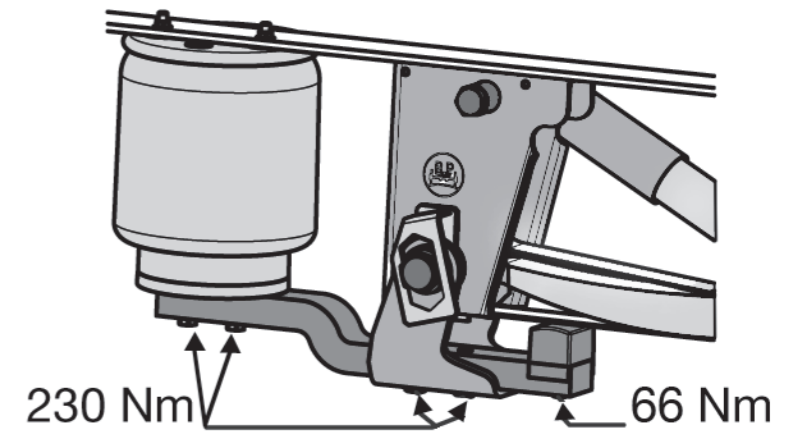
Bolted connection, gusset plate spring bolts:

M 18 M = 420 Nm (390 - 460 Nm)

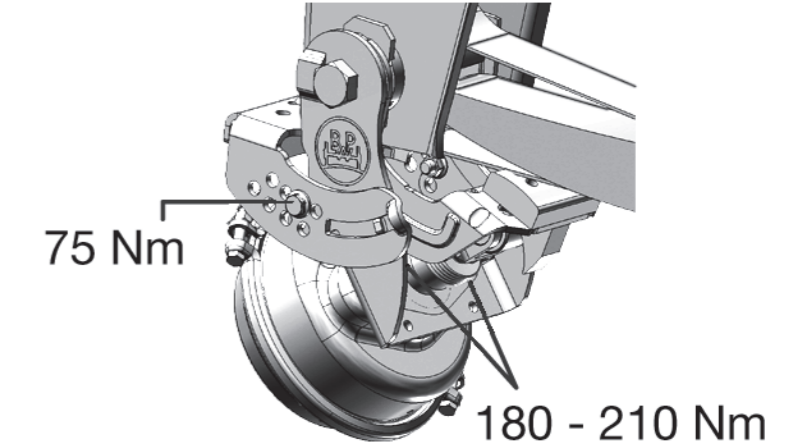
Spring pivot bolt:

M 24 M = 650 Nm (605 - 715 Nm)
 from 08/2001: M 30 M = 900 Nm (840 - 990 Nm)
 up to 07/2001: M 30 M = 750 Nm (700 - 825 Nm)

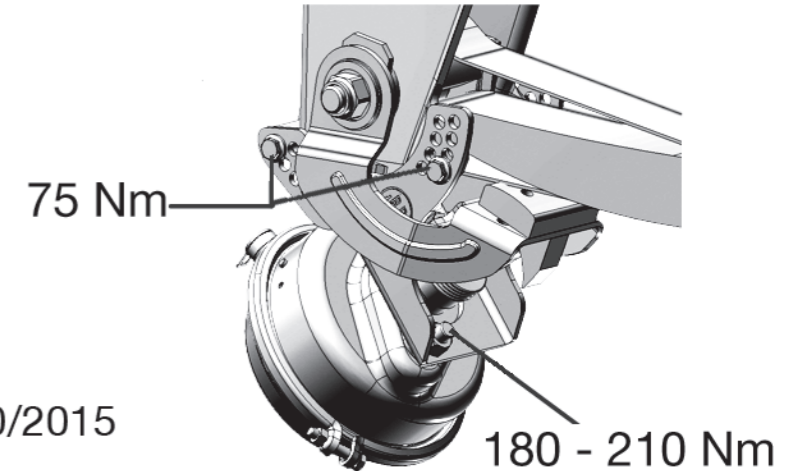
Single-sided lift



Two-sided lift



Screw-on double-sided lift



Refer to the valid installation instructions and maintenance regulations for the current tightening torques! Valid: 10/2015

Maintenance and Installation Manuals are available from:

BPW Axles (Pty) Ltd • PO Box 82545 • Southdale 2135 • Johannesburg
 Tel (011) 681-3300 • (011) 680-1443 • Fax (011) 680-1829 • E-mail: bpwsales@bpw.co.za • Website: www.bpw.co.za