

BPW Air Suspension ALII Spare Parts List

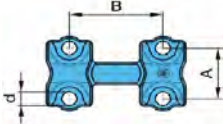
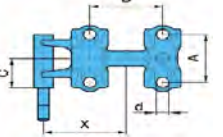
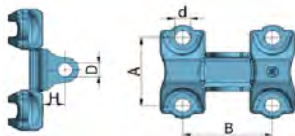
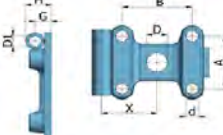
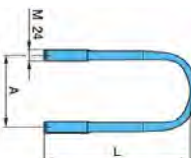
BPW AIR SUSPENSION ALII ZA

Leaf springs 1 x 62 / 70 mm, length 500 / 380mm
 with safety catch and centering bolt
 with hanger brackets ,double sided adjustable
 with shock absorbers
 with air bags
 see drawings ALII-SN.0/ALII-TSB.O

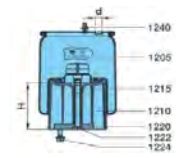
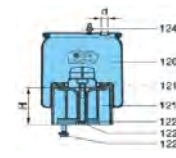
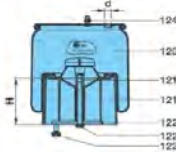
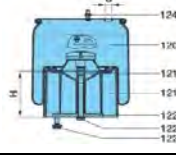
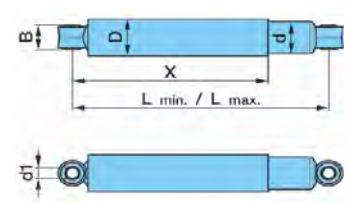


Item No.	Name	Part	BPW Part Number	Dimensions	QTY
1000	Trailing Arm ALM incl.item 1005		05.082.13.95.2 (M24)	Ø 24 mm, K = 110 mm, 1 x 62 / 70 mm, L1 500 / 380 mm	2
			05.082.13.95.0 (M30)	Ø 30 mm, K = 110 mm, 1 x 62 / 70 mm, L1 500 / 380 mm	
	Trailing Arm ALU/O incl.item 1005		05.082.13.96.2 (M24)	Ø 24 mm, K = 30 mm, 1 x 62 / 70 mm, L1 500 / 380 mm	2
			05.082.13.96.0 (M30)	Ø 30 mm, K = 30 mm, 1 x 62 / 70 mm, L1 500 / 380 mm	
	Trailing Arm 3D incl.item 1005		05.082.13.91.2 - Right 05.085.13.92.2 - Left (M24)	Ø 24 mm, K = 110 mm, 1 x 62 / 70 mm, L1 500 / 380 mm	2
			05.082.13.91.1 - Right 05.082.13.92.1 - Left (M30)	Ø 30 mm, K = 110 mm, 1 x 62 / 70 mm, L1 500 / 380 mm	
1005	Bush		02.0314.24.00 (M24)	Ø 24,2 / 60 x 72	2
			02.0315.98.00 (M30)	Ø 30.1 / 60 x 72	
1012	Safety Catch ALM		05.348.30.37.0	L1 = 500 / B = 60 / H = 58 - 68	2
	Safety Catch ALU/O		05.348.30.36.0		
	Safety Catch 3D		05.348.30.38.0 - Right 05.348.30.39.0 - Left	L1 = 500 / B = 60 / H = 60 - 70	2
1026/ 1027	Spring Pad ALM/O (Shock bolt below)		05.032.22.18.8 - Right 05.032.22.17.8 - Left	A 125 / B 150 / D Ø 70 / d Ø 26 / G29 / X 110 / C 77,5	1
	Spring Pad ALM/O (Shock bolt inline)		05.032.21.36.8 - Right 05.032.21.37.8 - Left	A 125 / B 150 / D Ø 70 / d Ø 26 / G29 / X 110 / C 77,5	1
	Spring Pad ALU		03.032.21.10.8 - Right 03.032.21.09.8 - Left	A 125 / B 150 / L 240 / L1 140 / H66 / D Ø 70	1

BPW Air Suspension ALII Spare Parts List

1030		Shaped Plate (Slotted)		03.001.14.97.0	82 x 84 x 15 / Ø 50	4
1032		Spring Plate ALM/O		03.145.25.05.0	B 125 x A 150	2
		Spring Plate ALU		05.145.25.06.0 - Right 05.145.25.07.0 - Left	B 125 x A 150	2
		Spring Plate ALMLL - Special		05.145.25.33.0 USED IN KIT 05.807.00.45.0 SEE PAGE 7	B 125 x A 150	2
		Spring Plate ALM/O - Special		05.145.25.26.0 USED IN REPAIR KIT 09.801.08.19.0 SEE PAGE 8	B 125 x A 150	2
1035		Segment		03.345.23.16.1	151 x 168	2
1040		Bolt		03.084.74.43.0	Ø 24 x 22	2
1050		Spring U-bolt (flattened)		03.138.41.38.4	M 24 / 152 x 277	4
				03.138.41.37.4 USED IN REPAIR KIT 09.801.08.19.0 SEE PAGE 8	M 24 / 152 x 315	4
1055		Washer		02.5401.25.07	A 25	8
1150		M24 Pivot Bolt Repair Kit incl. items 1005, 1155, 1161, 1165, 1168, 1525, 1540		09.801.07.38.0		2
	1155	Pivot bolt		03.340.14.20.0	M 24 x 166 / SW 36	2
	1161	Plate (adjusting plate)		03.281.44.25.0	98 x 51,5 x 6	4
	1165	Washer		03.320.34.55.0	Ø 25 / 60 x 6	2
	1168	Lock nut		03.260.14.13.0	M 24 / SW 36	2
1150		M30 Pivot Bolt Repair Kit incl. items 1005, 1155, 1161, 1165, 1168, 1525, 1540		09.801.07.19.0		2
	1155	Pivot bolt		03.340.05.05.0	M 30 x 170 / Ø 62	2
	1161	Plate (adjusting plate)		03.281.54.18.0	104 x 57.5 x 8	4
	1165	Washer		03.320.34.53.0	Ø 31 / 71 x 6	2
	1168	Lock nut		03.260.15.01.0	M 30 / SW 46	2
1152		M24 Pivot bolt assembly incl. items 1155, 1161, 1165, 1168, 1525		05.857.00.28.0		2
1152		M24 Pivot bolt assembly incl. items 1155, 1161, 1165, 1168, 1525		05.857.00.29.0	FOR C-CHANNEL HANGER	2
1152		M24 Pivot bolt assembly incl. items 1155, 1161, 1165, 1168, 1525, 1570, 1571		05.857.00.32.0	FOR BOLT-ON HANGER	2
	1155	Pivot bolt		03.340.14.24.0	M 24 x 166 / Ø 60 / Ø 18	2
	1570	Hex screw		02.5030.03.11	M18 x 1.5 x 60	2
	1571	Hex nut		05.260.53.07.0	M18 x 1.5	2
1152		M30 Pivot bolt assembly incl. items 1155, 1161, 1165, 1168, 1525		05.857.00.18.0		2

BPW Air Suspension ALII Spare Parts List

1200	Air bag assembly BPW 30		05.429.43.20.0		2	
	1205	Air bag	05.429.40.03.0	BPW 30	2	
	1210	Piston	05.139.39.50.0	Ø 203 x 194	2	
	1215	Threaded sleeve	03.179.03.08.0	M 16 x 51 / SW 24	2	
	1220	Plate	03.280.95.02.0	110x135x20/X70/V0/20/60	2	
	1222	Locking screw	03.340.12.23.0	M 16 x 160 - 10.9 / SW 22	2	
	1224	Locking screw	02.5070.95.00	M 16 x 65	4	
	1240	Lock nut	02.5273.33.80	M 12 - 10	4	
						
1200	Air bag assembly BPW 30K		05.429.43.21.0		2	
	1205	Air bag	05.429.40.91.0	BPW 30K	2	
	1210	Piston	05.139.39.51.0	Ø 203 x 149	2	
	1215	Threaded sleeve	03.179.03.08.0	M 16 x 51 / SW 24	2	
	1220	Plate	03.280.95.02.0	110x135x20/X70/V0/20/60	2	
	1222	Locking screw	03.340.12.24.0	M 16 x 115 - 10.9 / SW 22	2	
	1224	Locking screw	02.5070.95.00	M 16 x 65	4	
	1240	Lock nut	02.5273.33.80	M 12 - 10	4	
						
1200	Air bag assembly BPW 36		05.429.43.51.0		2	
	1205	Air bag	05.429.40.01.0	BPW 36	2	
	1210	Piston	05.139.39.52.0	Ø 253X188	2	
	1215	Threaded sleeve	03.179.03.08.0	M 16 x 51 / SW 24	2	
	1220	Plate	03.280.95.03.0	170 x 150 x 70 x 120	2	
	1222	Locking screw	03.340.12.23.0	M 16 x 160 - 10.9 / SW 22	2	
	1224	Locking screw	02.5070.95.00	M 16 x 65	4	
	1240	Lock nut	02.5273.33.80	M 12 - 10	4	
						
1200	Air bag assembly BPW 36K		05.429.43.41.0		2	
	1205	Air bag	05.429.41.01.0	BPW 36K	2	
	1210	Piston	05.139.39.53.0	Ø 253 x 143	2	
	1215	Threaded sleeve	03.179.03.08.0	M 16 x 51 / SW 24	2	
	1220	Plate	03.280.95.03.0	170 x 150 x 70 x 120	2	
	1222	Locking screw	03.340.12.24.0	M 16 x 115 - 10.9 / SW 22	2	
	1224	Locking screw	02.5070.95.00	M 16 x 65	4	
	1240	Lock nut	02.5273.33.80	M 12 - 10	4	
						
1250		Plate	03.281.47.12.0	300x140x6 (30 & 30K Airbag)	2	
			03.285.47.24.0	360x200x6 (36 & 36K Airbag)	2	
1300		Shock absorber Read code number off the shock absorber. Replace shock absorbers on an axle as a complete set.		02.3722.83.02	Ø 73 / 83 mm, L min 326 mm, L max 496 mm, X = 235 mm	2
				02.3722.88.02	Ø 65 / 75 mm, L min 351 mm, L max 541 mm, X = 250 mm	2
				02.3722.89.02 USED IN REPAIR KIT 09.801.08.19.0. SEE PAGE 8	Ø 65 / 75 mm, L min 292 mm, L max 432 mm, X = 204 mm	2
1315		Hexagon screw	03.340.14.19.0	M24 x 240 - 8.8 / SW 36	2	
1318		Washer - Special	03.310.30.60.0 USED IN KIT 05.807.00.45.0 SEE PAGE 7	A 25	2	
1326		Hexagon screw - Special	02.5023.90.82 USED IN KIT 05.807.00.45.0 SEE PAGE 7	M 24 x 100 - 8.8 / SW 36	2	
1330		Lock nut	02.5220.74.12.0	VM 24-10	12	
			02.5220.76.12.0 USED IN KIT 05.807.00.45.0 & 09.801.08.19.0 SEE PAGE 7 & 8	VM 24 - 10 H 18,35 / SW 36	4	

BPW Air Suspension ALII Spare Parts List

1511	Hanger Brackets incl. item 1540 * For Hangers not included below please read off BPW part number and contact BPW.		05.375.44.XX.X	See below	2
	1540	Bush	03.113.03.10.0 (M24)	24,3 / 36,6 / Ø 67,6 X21	4
			03.113.23.01.0 (M30)	30,3 / 42,6 / Ø 73.6 X23	4
			03.164.35.03.0 (M24)	Ø 24,2 / 121 x 125 x 5	4
1525		Wearing Plate	03.164.35.04.0 (M24)	FOR C-CHANNEL HANGER	4
			03.164.35.02.0 (M30)	Ø 30.2 / 121 x 125 x 5	4

<p>ST 184</p> <p>M24 05.375.44.23.0 D = 70 mm</p> <p>M30 05.375.44.03.0 D = 70 mm</p>	<p>ST 268</p> <p>M24 D = 90: 05.375.44.22.0 D = 55: 05.375.44.21.0</p> <p>M30 D = 90: 05.375.44.02.0 D = 55: 05.375.44.01.0</p>
<p>ST 194</p> <p>M24 05.375.44.43.0 D = 70 mm</p>	<p>ST 278</p> <p>M24 D=90: 05.375.44.41.0 D=55: 05.375.44.42.0</p>

Aluminium Hangers (DISCONTINUED)

<p>ST 184</p> <p>M30 05.375.44.14.0 D = 80 mm</p>	<p>ST 278</p> <p>M30 05.375.44.04.0 D = 85/170 mm</p>
---	---

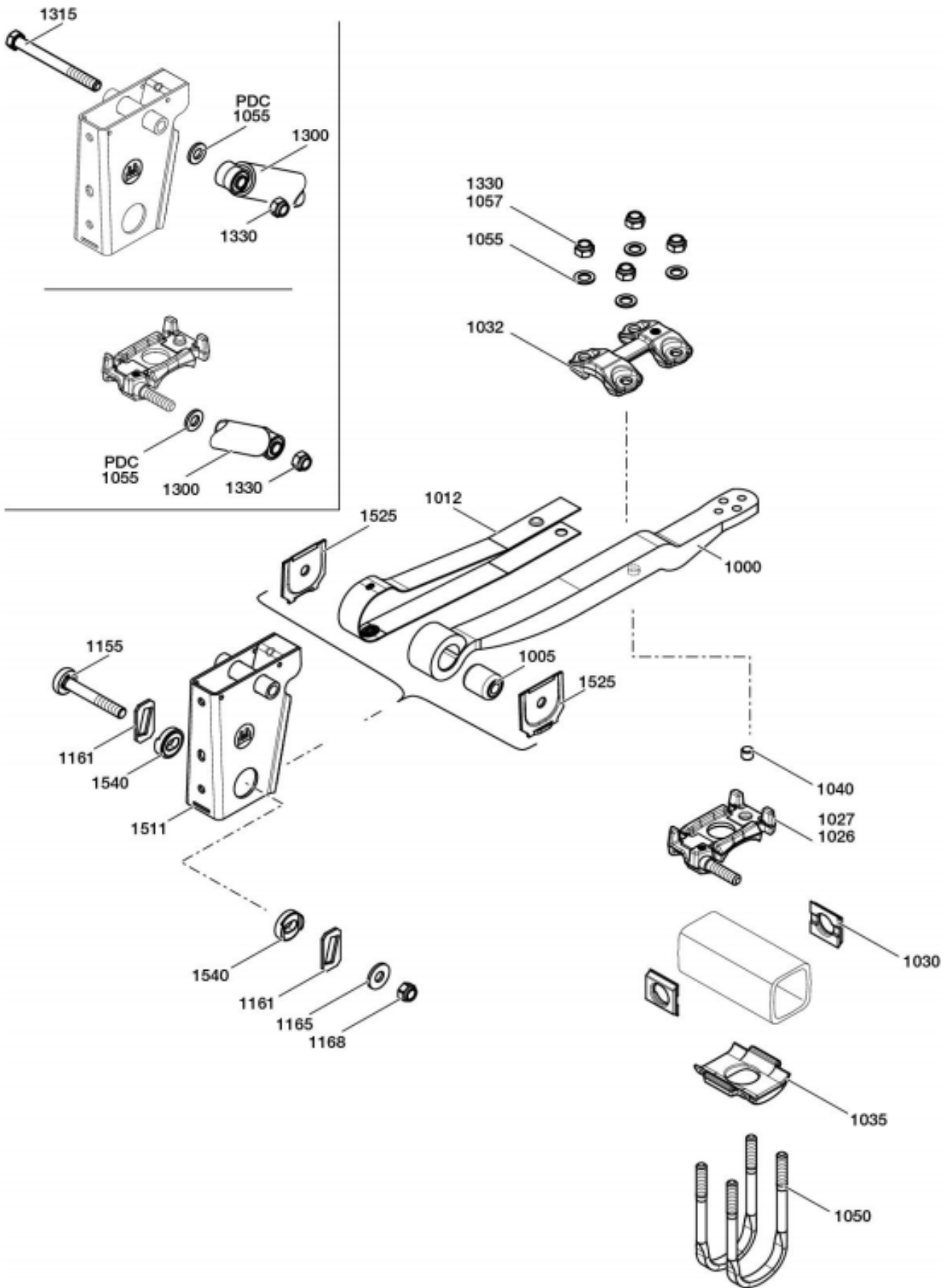
C-Channels

<p>ST 268 FM = 980 mm</p> <p>M24 05.445.56.80.0 D = 85 mm</p>	<p>ST 268 FM = 1300 mm</p> <p>M24 05.445.56.85.0 D = 85 mm</p>
<p>ST 268 FM = 1350 mm</p> <p>M24 05.445.58.10.0 D = 85 mm</p>	<p>ST 278 FM = 1300 mm</p> <p>M24 05.445.58.15.0 D = 100 mm</p>

*** Please Note:**
All M30 hanger brackets are no longer available and have been replaced by the M24 version.
When replacing a M30 hanger with a M24, replace the Pivot Bolt Assembly (item 1152) and the Trailing Arm Bush (item 1005).

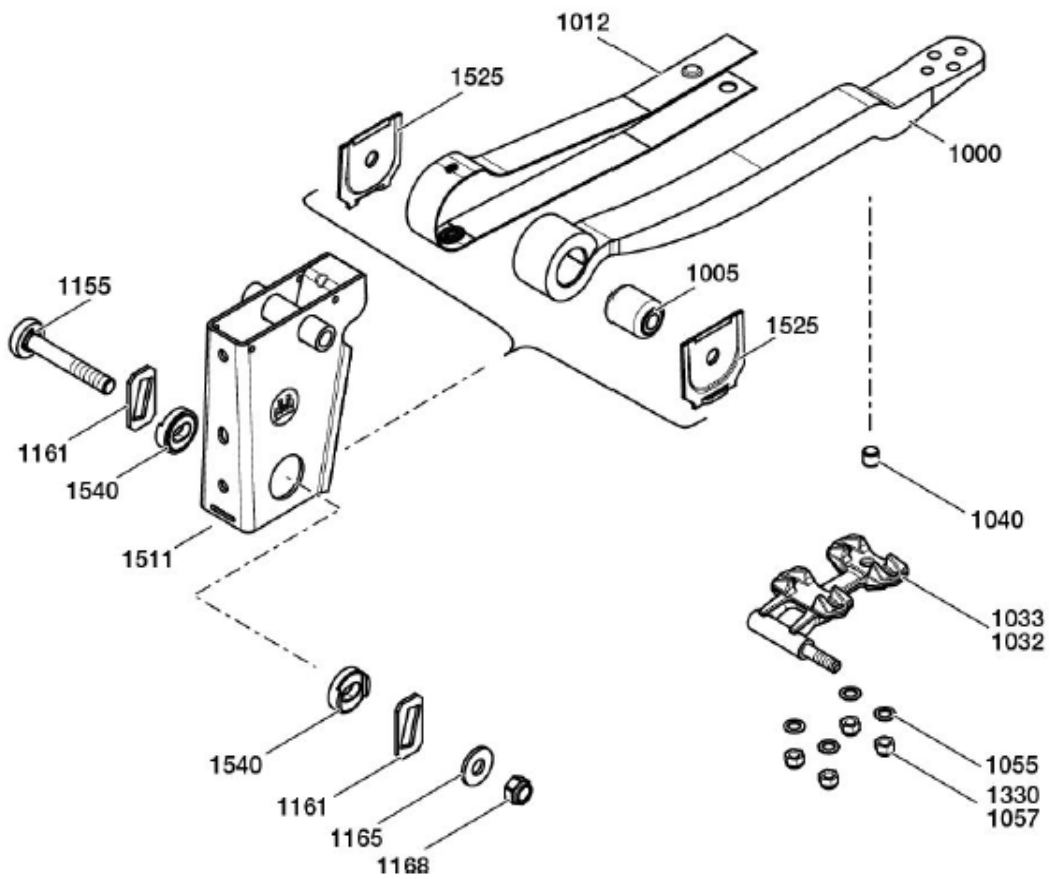
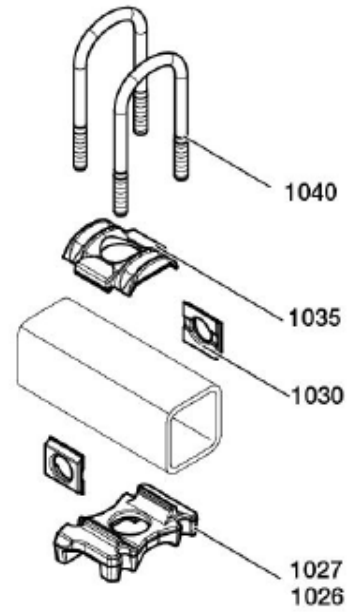
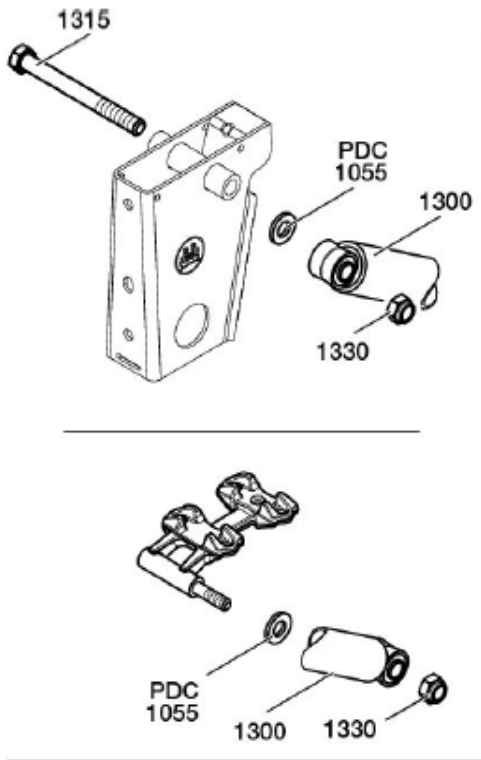
BPW Air Suspension ALII Spare Parts List

Type ALO/M



BPW Air Suspension ALII Spare Parts List

Type ALU



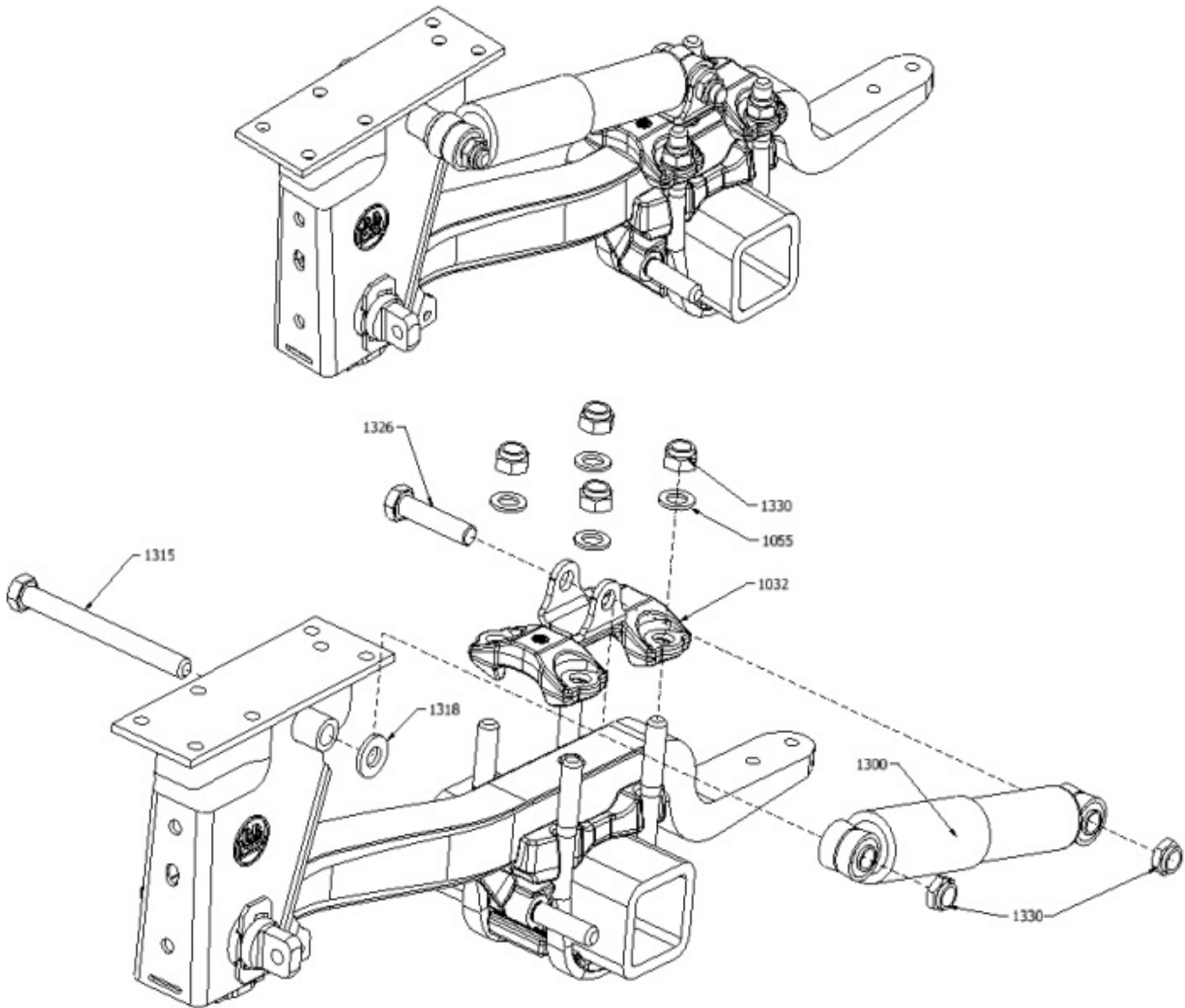
BPW Air Suspension ALII Spare Parts List

RETROFIT KIT

05.807.00.45.0

Spring Plate Kit for Centre Mounted Shock

Suitable for ALM Air Suspension - 99.71.000.8.93



Kit Contents

Item	Part Number	Description	Quantity
1032	05.145.25.33.0	Spring Plate ALII Special	2
1055	02.5401.25.07	Washer 25/125	8
1057	02.5220.74.12	Lock Nut M24	8
1300	02.3722.88.02	Shock Absorber Long Stroke	2
1315	03.340.14.19.0	Hex Bolt M24 x 240	2
1318	03.310.30.60.0	Washer 25/50 x 6	2
1326	02.5023.90.82	Hex Bolt M24 x 100	2
1330	02.5220.76.12	Lock Nut M24 - Shortened	4

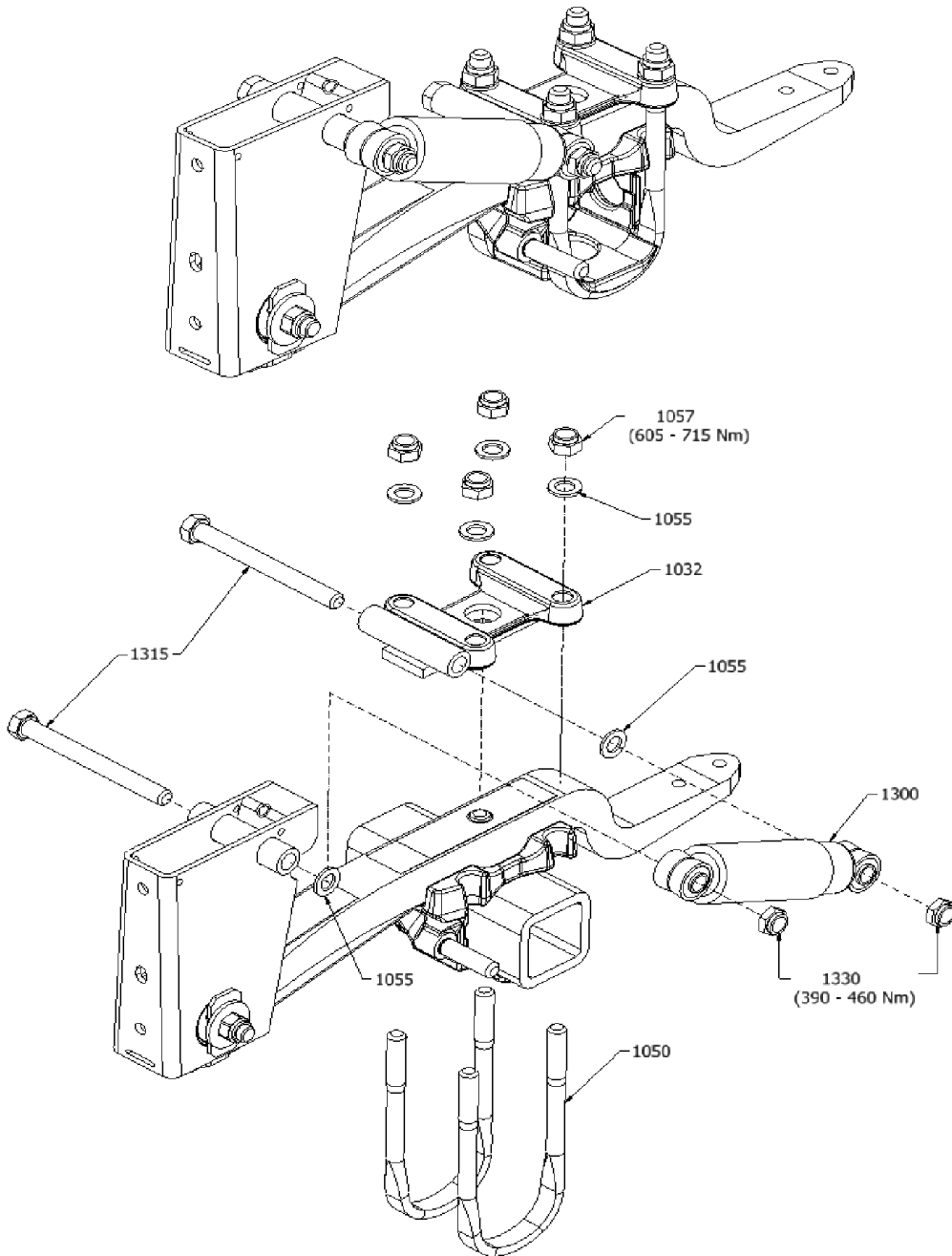
BPW Air Suspension ALII Spare Parts List

REPAIR KIT

09.801.08.19.0

Repair Kit for Broken Shock Bolt on ALII Spring Seat

Suitable for ALO and ALU suspension



Kit Contents

Item	Part Number	Description	Quantity
1032	05.145.25.26.0	Spring Plate ALII Special	2
1050	03.138.41.37.4	U-Bolts M24	4
1055	02.5401.25.07	Washer 25/125	12
1057	02.5220.74.12	Lock Nut M24	8
1300	02.3722.89.02	Shock Absorber Short Stroke	2
1315	03.340.14.19.0	Hex Bolt M24 x 240	4
1330	02.5220.76.12	Lock Nut M24 - Shortened	4