

Member of the BPW Group



TM16 LED tail light

Built-in light with unique design

CERMAX[®]

Unique design - and pretty cool

Modern design, function and technology combined

The new round 3 and 2 function TM16 LED tail light from ERMAX

The TM16 tail light serie features a unique, homogeneous design with a black background which highlights the homogeneous red tail light function in its 3 horizontal stripes. A pretty cool design combined with impact-resistant lens and housing, chrome-ring, the option of progressive direction indicator light and variants with ISO 13207 LED monitoring on the direction indicator light.

The serie also offers individual vehicle styling with a huge range of options, and can be used on both trucks and trailers.

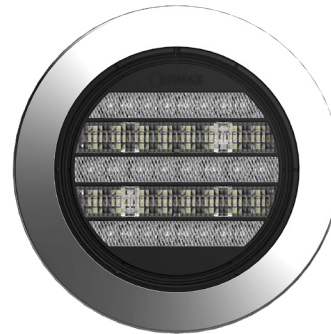
The ERMAX TM16 LED built-in tail light is designed based on the latest lighting- and LED technologies and meets the toughest requirements for technology, quality and functionality.



Position-, stop- and direction indicator light



Position-, stop- and progressive direction indicator light



Fog- and reversing light



Position-, fog- and reversing light

ERMAX TM16 - why?

- 1 Unique design**
Built-in light in modern, compact design, with black background. Homogeneous position light with 3 stripes, with Eternal Light function.
- 2 Long lifetime and durability.**
Strong, impact-resistant lens and housing made of polycarbonate.
- 3 Two direction indicator functions**
Option of standard direction indicator function or modern progressive direction indicator light.
- 4 Chrome-ring**
Hides screws, gives a modern look. Also available in gloss black.
- 5 Compatible with all tractor units**
Variants with ISO13207 LED monitoring on indicator light as standard - or ERMAX LED control box for monitoring indicator light as plug-in.
- 6 D-approval when double-mounting.**
Facilitates ECE compliant double mounting of tail lights as a single unit.
- 7 Flexible connection options**
Connection with open-end or 7 pole AMP plug connection. Fog/rear light available with outlets for extra reversing lights.
- 8 First class, approved quality - 3 year warranty**
All products are subject to our strict quality criteria and test methods to be able to guarantee high product quality.

Individual styling

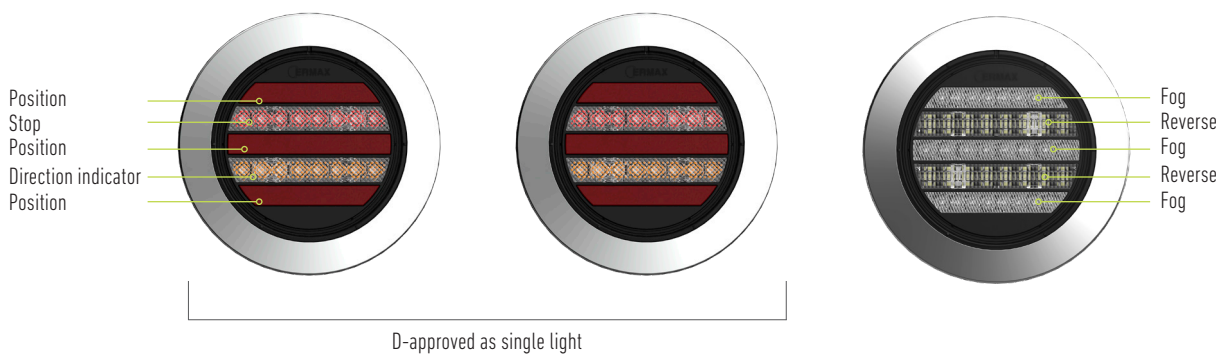
Design the "rear" according to taste and needs

Flexibility

The ERMAX TM16 is ideal for individual styling of a vehicle and has many application possibilities - both on trailer as on truck.

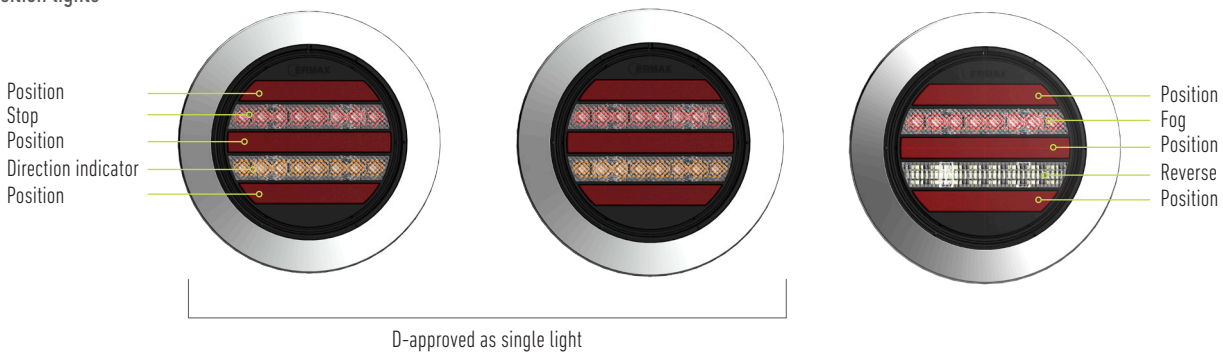
TM16 tail lights can be fitted horizontally and vertically and as high-mounted lights, and with the various connection options, fits perfectly with the ERMAX standard cable system.

Traditional mounting is ECE compliant



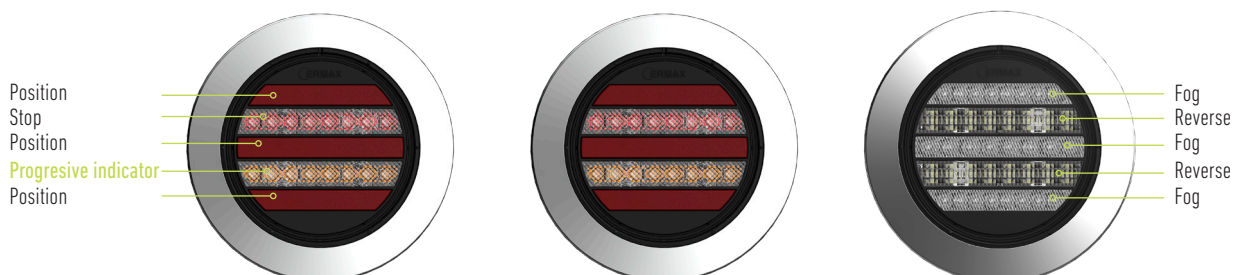
Uniform look - all functions

ECE compliance without other rear-facing position lights



Dynamic direction indicator in 3 function light

No ECE compliance



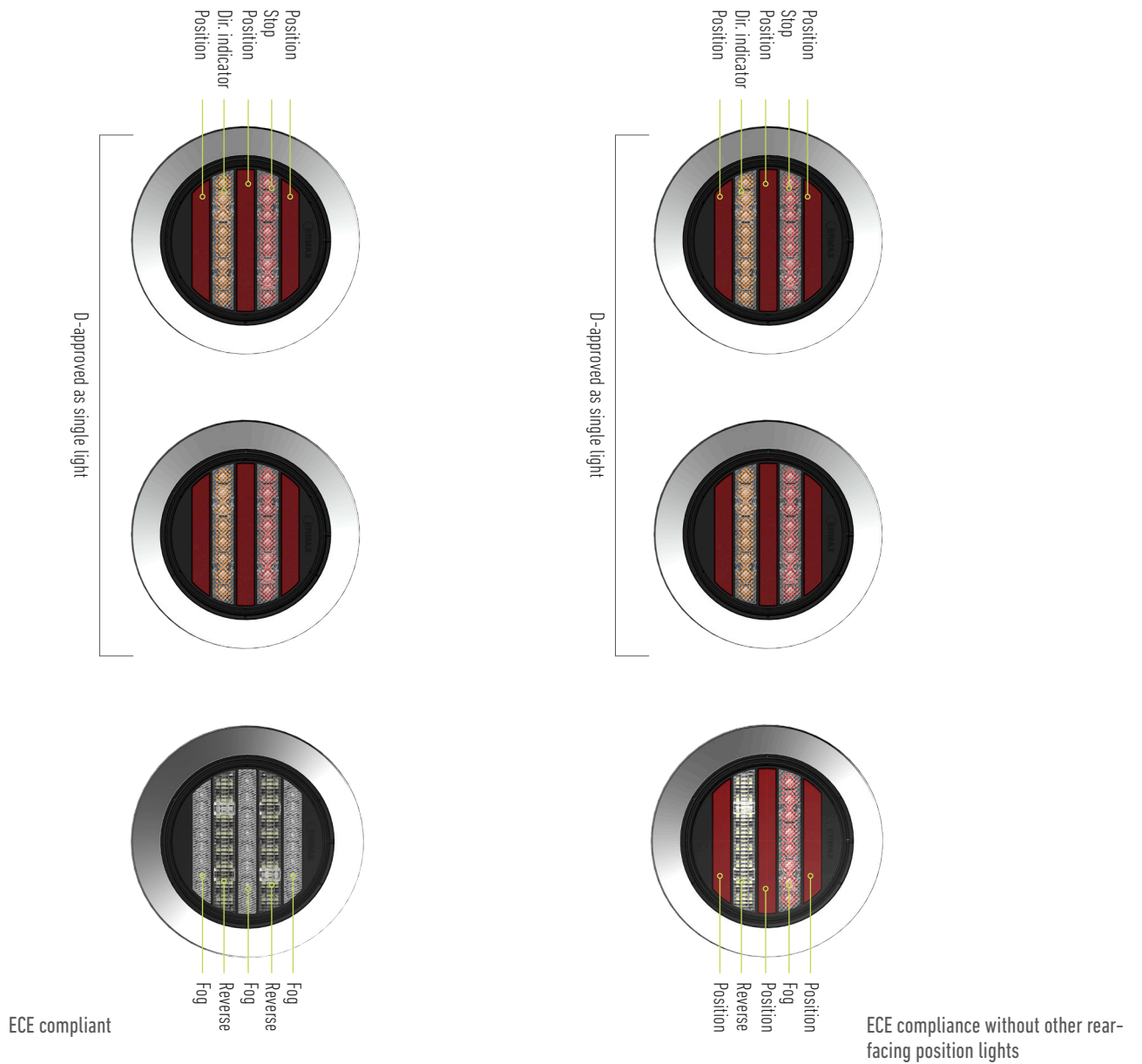
Individual styling

Approved for vertical mounting

The TM16 light serie is also approved for vertical mounting, making it perfectly suited as lighting on element transporters or the like, where the tail lights are often mounted vertically on the chassis for maximum protection. Warning triangle is mounted separately.

The unique benefits of the TM16 range also benefit this segment, especially the longer lifetime due to the impact-resistant lens and housing, made of polycarbonate.

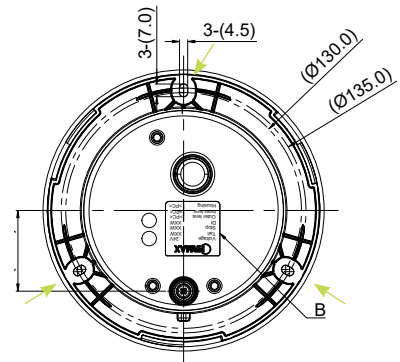
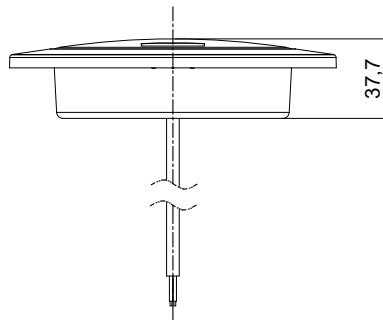
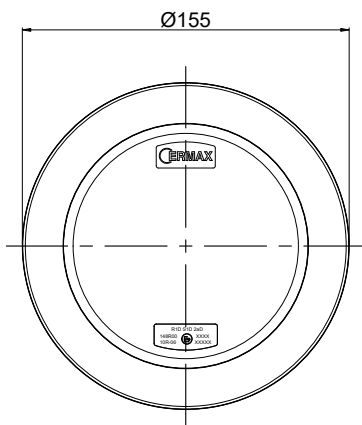
Vertical mounting



TM16 LED tail light for built-in - 24V

Technical details and dimensions

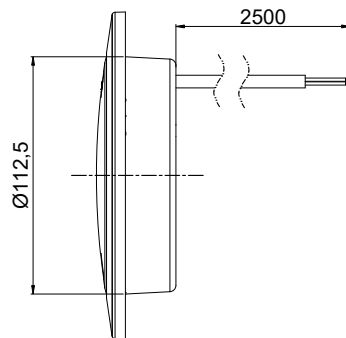
Dimensions



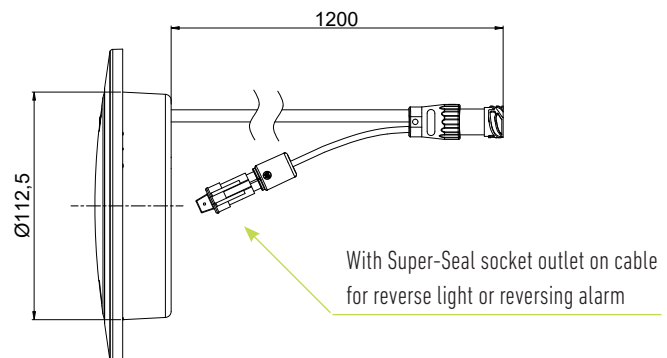
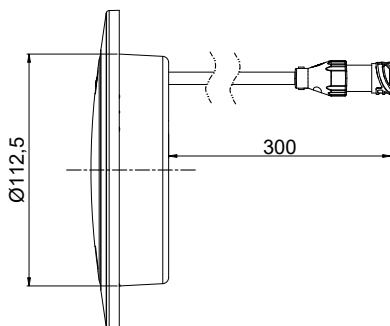
Can be mounted at 120° divided on
Ø130 to Ø135

Connection open-end:

- White: Minus (-)
- Green: Position
- Amber: Direction indicator
- Red: Stop



Connection to 7 pole AMP socket

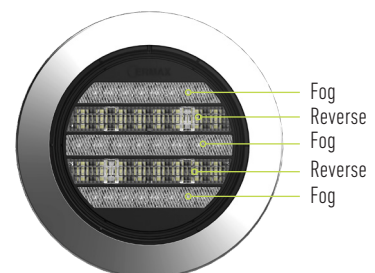
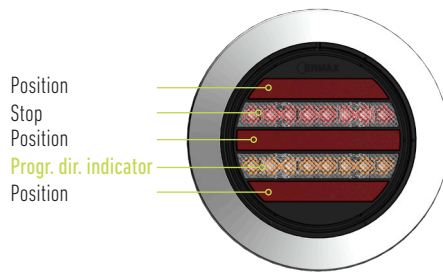
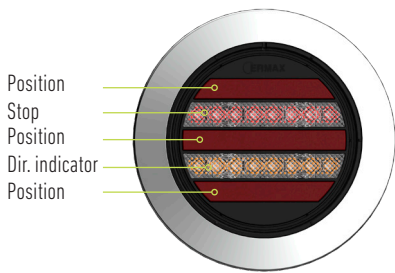


Technical specifications:

- Strong, impact-resistant polycarbonate lens and housing
- 24V
- Dimensions for built-in - Ø112.5 mm
- Bolt hole distance - 3 x Ø4.5 mm at 120° divided on Ø130 to Ø135 mm
- Working temperature -40°C - +65°C
- IP rating: IP6K9K
- ECE, EMC and ADR approved (D-approval, see table on next page)

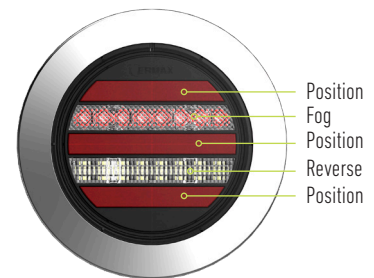
TM16 LED tail light for built-in - 24V

Variants without ISO 13207



Technical specifications:

- Lens and housing: Impact-resistant polycarbonate
- Voltage: 24V
- Build-in measurements: Ø112.5 mm
- Bolt hole distance: 3 x Ø4.5 mm at 120° divided in Ø130 to Ø135 mm
- Working temperature: -40°C - +65°C
- IP rating: IP6K9K
- Approvals: ECE, EMC and ADR (see D-approval below)

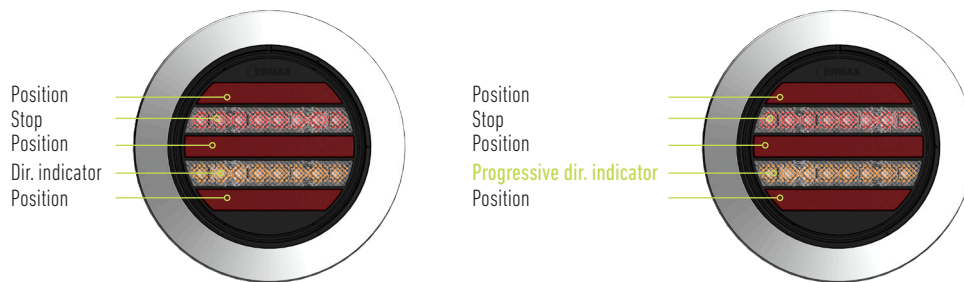


Voltage	Right → Left ←	Position	Stop	Dir. indicator traditional	Dir. indicator progressive	Reverse Fog	Connection	Cable length	Outlet Super Seal	D-approved	Item no.
24V	→ ←	✓	✓	✓			Open end	2,500 mm		✓	098 211 201
24V	→ ←	✓	✓	✓			7 pole AMP socket	300 mm		✓	098 211 202
24V	→	✓	✓		✓		Open end	2,500 mm			098 211 210
24V	←	✓	✓		✓		Open end	2,500 mm			098 211 211
24V	→	✓	✓		✓		7 pole AMP socket	300 mm			098 211 212
24V	←	✓	✓		✓		7 pole AMP socket	300 mm			098 211 213
24V	→ ←					✓	Open end	2,500 mm			098 255 201
24V	→ ←					✓	7 pole AMP socket	300 mm			098 255 202
24V	→ ←					✓	7 pole AMP socket	1,000 mm	200 mm cable with Super Seal socket		098 255 204
24V	→	✓				✓	Open end	2,500 mm			098 255 210 *
24V	←	✓				✓	Open end	2,500 mm			098 255 211 *
24V	→	✓				✓	7 pole AMP socket	300 mm			098 255 212 *
24V	←	✓				✓	7 pole AMP socket	300 mm			098 255 213 *
24V	→	✓				✓	7 pole AMP socket	1,000 mm	200 mm cable with Super Seal socket		098 255 214 *
24V	←	✓				✓	7 pole AMP socket	1,000 mm	200 mm cable with Super Seal socket		098 255 215 *

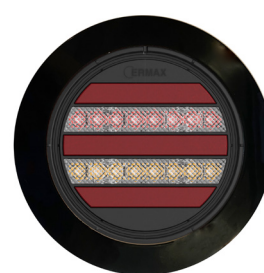
* NB: - The reason for a right and left variant is, that the fog light is reduced on the right and left side of the light respectively, meaning it can be mounted close to the rear light and still maintain the mandatory 100 mm distance between stop and fog lights.

TM16 LED tail light for built-in - 24V

Variants with ISO 13207 - Indicator monitored by integrated ISO13207 pulse system



Voltage	Right → Left ←	Position	Stop	Dir. indicator traditional	Dir. indicator progressive	Reverse Fog	Connection	Cable length	D-approved	Item no.
24V	→ ←	✓	✓	✓			Open end	2,500 mm	✓	098 211 231
24V	→ ←	✓	✓	✓			7 pole AMP socket	300 mm	✓	098 211 232
24V	→	✓	✓		✓		Open end	2,500 mm		098 211 240
24V	←	✓	✓		✓		Open end	2,500 mm		098 211 241
24V	→	✓	✓		✓		7 pole AMP socket	300 mm		098 211 242
24V	←	✓	✓		✓		7 pole AMP socket	300 mm		098 211 243



Example with
gloss black ring

Spare parts

Chrome-ring Ø155 mm	098 292 216
Gloss black ring Ø155 mm - can replace the chrome ring	098 292 217

Brands of the BPW Group:



April 2023 • Version 1.0



ERMAX A/S
Vranderupvej 2 • DK-6000 Kolding
Tel. +45 3969 6800 • www.ermx.dk