

# we think transport

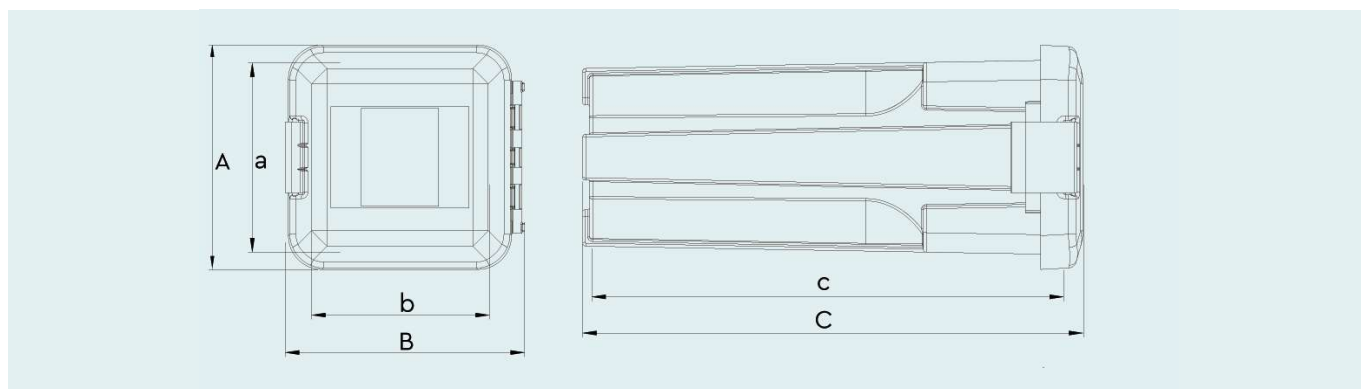
## SLIDEN FIRE EXTINGUISHER CABINET



**BPW Part no:** DA82410  
**External dimensions (mm):** 265x284x595  
**Internal Dimensions (mm):** 224x224x561  
**Weight (kg):** 2,1  
**Ring Diameter (mm):** Ø 140/160



**BPW Part no:** DA82420  
**External dimensions (mm):** 309X324X750  
**Internal Dimensions (mm):** 210X252X715  
**Weight (kg):** 3,2  
**Ring Diameter (mm):** Ø 200



### PRODUCT FEATURES

- Fire extinguisher cabinet made of polypropylene by injection moulding
- Nylon tension spring for fire extinguisher (Ø 140/160 mm) and extra tension springs (optional) for fire extinguishers Ø 140 mm;
- Nylon handle sealable or lockable to guarantee more security against thefts and mishandling;
- Inspection window (optional);
- Innovative reinforced and non-deformable structure to guarantee solidity and resistance in time;
- Internal TPE seal against water and dust ingress;
- Brackets can be mounted on any side of the cabinet;
- Logistics optimisation: the products can be delivered dismantled and stacked in piles. Fast and easy to assemble.
- Label with customized logo

### TEST AND CERTIFICATIONS

- TÜV RHEINLAND Certification:
- Flammability (Flame Speed) - Dust and water resistance
- (IP59K) - Resistance to hydrocarbons and lubricating oils -
- Accelerated weathering (UV rays) - Compression (12.000 N)



### OPTIONALS

**Bracket:** DA88531 Special bracket kit for Sliden fire extinguisher cabinet

