

we think transport

WELVET 81009 TOOL BOX 1250 mm



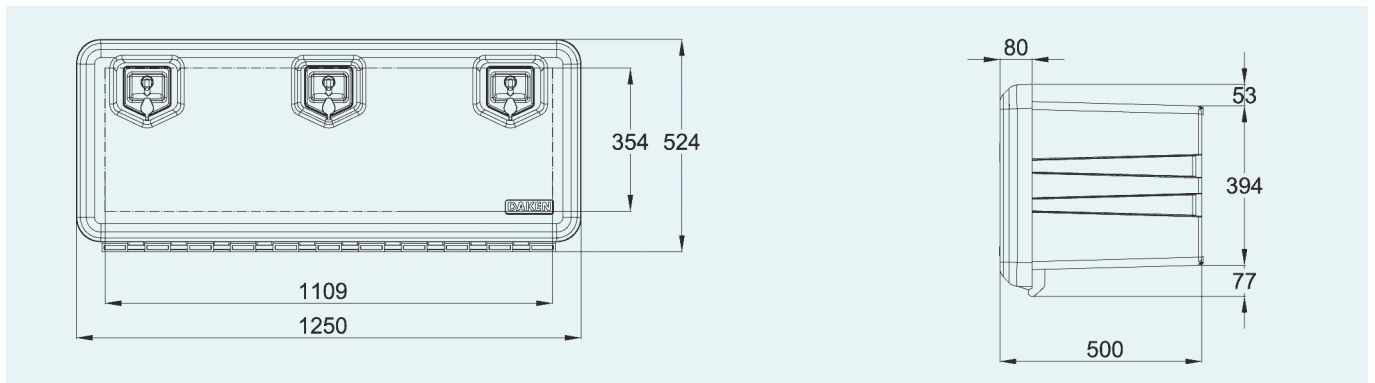
BPW Part no: DA81009
External dimensions (mm): 1250x524x500
Weight (kg): 15.50
Optimal load with vertical and horizontal brackets (kg): 75
Optimal load with U-brackets (kg): 115
Capacity (lt): 203

COMPONENTS

- Nylon handle
- EPDM seal
- Europlex lock (European Patent EP 1442845)

TECHNICAL FEATURES

Material: polypropylene
Production process: Injection Molding
 Label with company logo



PRODUCT FEATURES

- 1 Europlex lock with cylinder
- 2 The Innovative compression locking system with a hook guarantees perfect cohesion between body and lid
- 3 Body-lid fixing system with 10 contact points which guarantees fast assembling and reliability in everyday use
- 4 Body with reinforcement ribs
- 5 Reinforced lid
- 6 Available with internal shelves
- 7 Water & Dust resistant (TÜV certified)
- 8 Side impact protection (VCA UK)
- 9 Save weight and cost: more payload, less fuel

OPTIONALS

VERTICAL BRACKETS: DA88020
HORIZONTAL BRACKETS: DA88130
SPARE PARTS: DA89010 – Europlex lock H.45
OPTIONS ON REQUEST: Personalised resin label, Serigraphed logo, Shelves



WEIGHT SAVING